

## HAC-HDBW12A0RN-VF

2Megapixel 1080P Vandal-proof IR HDCVI Dome Camera



### Features

- 1/2.7" 2Megapixel CMOS
- 25/30fps@1080P
- High speed, long distance real-time transmission
- Day/Night(ICR), AWB, AGC, BLC, 2DNR
- 2.7~12mm vari-focal lens
- Max. IR LEDs length 30m, Smart IR
- IP67, IK10, DC12V

## HAC-HDBW12A0RN-VF

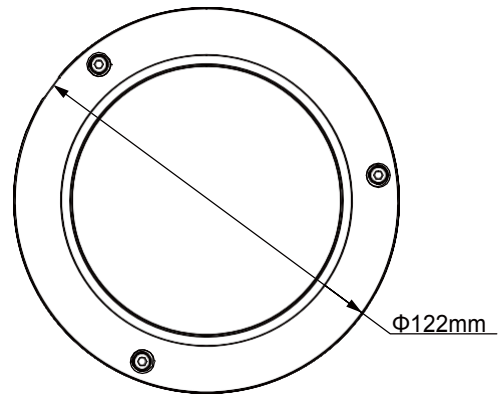
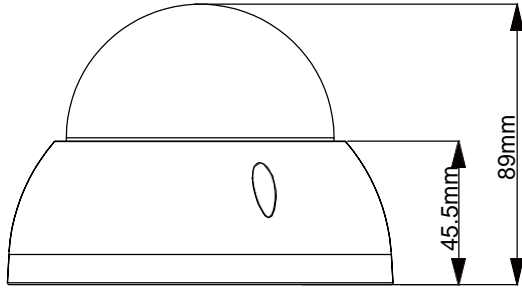
### Technical Specifications

| Model                  | HAC-HDBW12A0RP-VF                                | HAC-HDBW12A0RN-VF |
|------------------------|--|-------------------|
| <b>Camera</b>          |  |                   |
| Image Sensor           | 1/2.7" 2Megapixel CMOS                           |                   |
| Effective Pixels       | 1930(H)×1088(V)                                  |                   |
| Electronic Shutter     | 1/50s~1/100,000s                                 | 1/60s~1/100,000s  |
| Video Frame Rate       | 25fps@1080P                                      | 30fps@1080P       |
| Synchronization        | Internal   |                   |
| Min. Illumination      | 0.02Lux/F1.4, 0Lux IR on                         |                   |
| Video Output           | 1-channel BNC HDCVI high definition video output |                   |
| <b>Camera Features</b> |  |                   |
| Max. IR LEDs Length    | 30m, Smart IR                                    |                   |
| Day/Night              | Auto(ICR) / Color / B/W                          |                   |
| Noise Reduction        | 2D   |                   |
| <b>Lens</b>            |  |                   |
| Focal Length           | 2.7~12mm   |                   |
| Angle of View          | H: 99° ~37°                                      |                   |
| Lens Type              | Manual / Fixed Iris                              |                   |
| Mount Type             | Φ14  |                   |
| <b>General</b>         |  |                   |
| Power Supply           | DC12V±20%  |                   |
| Power Consumption      | Max 5.8W   |                   |
| Working Environment    | -30°C~+60°C / Less than 95%RH (no condensation)  |                   |
| Transmission Distance  | Over 500m via 75-3 coaxial cable                 |                   |
| Ingress Protection     | IP67 & IK10                                      |                   |
| Dimensions             | Φ122mm×89mm                                      |                   |
| Weight                 | 0.45kg   |                   |
| Material               | Metal  |                   |

# Product Specifications

## HAC-HDBW12A0RN-VF

### Dimensions (mm)



### Accessories (optional)

|  |  |   |
|--|--|---|
|  |  |  |
| PFB203W  | PFA137   | PFA152  |