

# Product Specifications

## HAC-HFW22A1RN-Z

2.1Megapixel 1080P Water-proof WDR HDCVI IR-Bullet Camera



### Features

- 1/2.7" 2.1Megapixel CMOS
- 25/30fps@1080P, 25/30/50/60fps@720P
- High speed, long distance real-time transmission
- HD and SD dual-output
- OSD Menu, control over coaxial cable
- WDR(120dB), Day/Night(ICR), AWB, AGC, BLC, 3DNR
- 2.7~12mm motorized lens
- Max. IR LEDs length 60m, Smart IR
- IP67, DC12V

# Product Specifications

## HAC-HFW22A1RN-Z

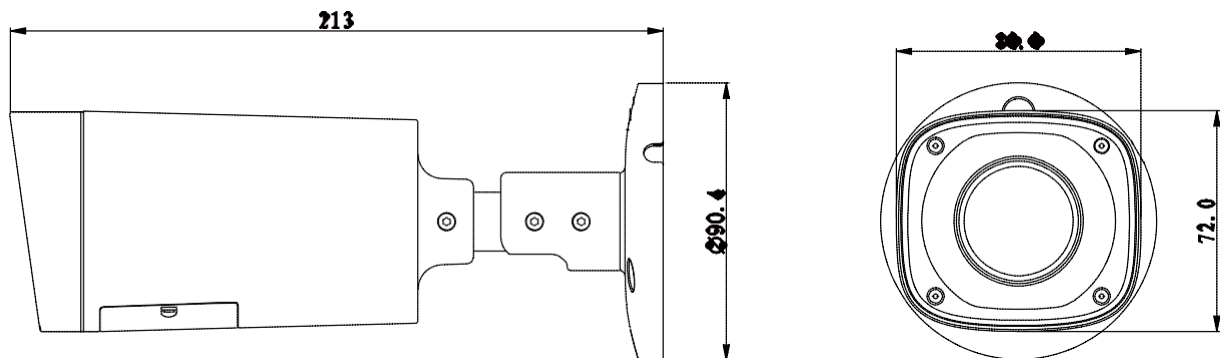
### Technical Specifications

Model	HAC-HFW22A1RP-Z	HAC-HFW22A1RN-Z
<b>Camera</b>		
Image Sensor	1/2.7" 2.1Megapixel CMOS	
Effective Pixels	1928(H)×1088(V)	
Electronic Shutter	1/3s~1/300,000s	
Video Frame Rate	25/30/50/60fps@720P; 25/30fps@1080P	
Synchronization	Internal	
Mini. Illumination	0.03Lux/F1.4, 0Lux IR on	
Video Output	1-channel BNC HDCVI high definition video output & CVBS standard definition video output	
<b>Camera Features</b>		
Max. IR LEDs Length	60m, Smart IR	
Day/Night	Auto(ICR) / Color / B/W	
Backlight Compensation	120dB True WDR	
Noise Reduction	2D/3D	
OSD Menu	Multi-language	
<b>Lens</b>		
Focal Length	2.7~12mm	
Angle of View	H: 99°~37°	
Lens Type	Motorized / Fixed Iris	
Mount Type	Φ14	
<b>General</b>		
Power Supply	DC12V±25%	
Power Consumption	Max 8.2W	
Working Environment	-30°C~+60°C / Less than 95%RH (no condensation)	
Transmission Distance	Over 500m via 75-3 coaxial cable	
Ingress Protection	IP67	
Dimensions(W×D×H)	213mm×80mm×72mm	
Weight	0.55kg	
Material	Metal	

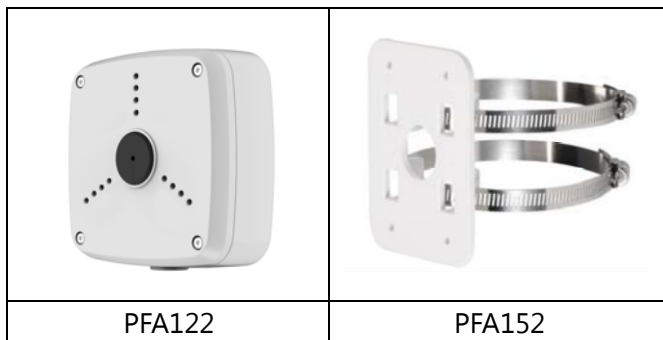
# Product Specifications

## HAC-HFW22A1RN-Z

### Dimensions (mm)



### Accessories (optional)



---

### Dahua Technology Co., Ltd.

1199 BinAn Road, Binjiang District, Hangzhou, China

Tel: +86-571-87688883

Fax: +86-571-87688815

Email: [overseas@dahuatech.com](mailto:overseas@dahuatech.com)

[www.dahuatech.com](http://www.dahuatech.com)

\*Design and specifications are subject to change without notice.

© 2014 Dahua Technology Co., Ltd.