

HAC-HDW1200E

2Megapixel 1080P Water-proof IR HDCVI Dome Camera



Features

- 1/2.7" 2Megapixel CMOS
- 25/30fps@1080P
- High speed, long distance real-time transmission
- Day/Night(ICR), AWB, AGC, BLC, 2D-DNR
- 3.6mm fixed lens (6mm optional)
- Max. IR LEDs length 50m, Smart IR
- IP67, DC12V

HAC-HDW1200E

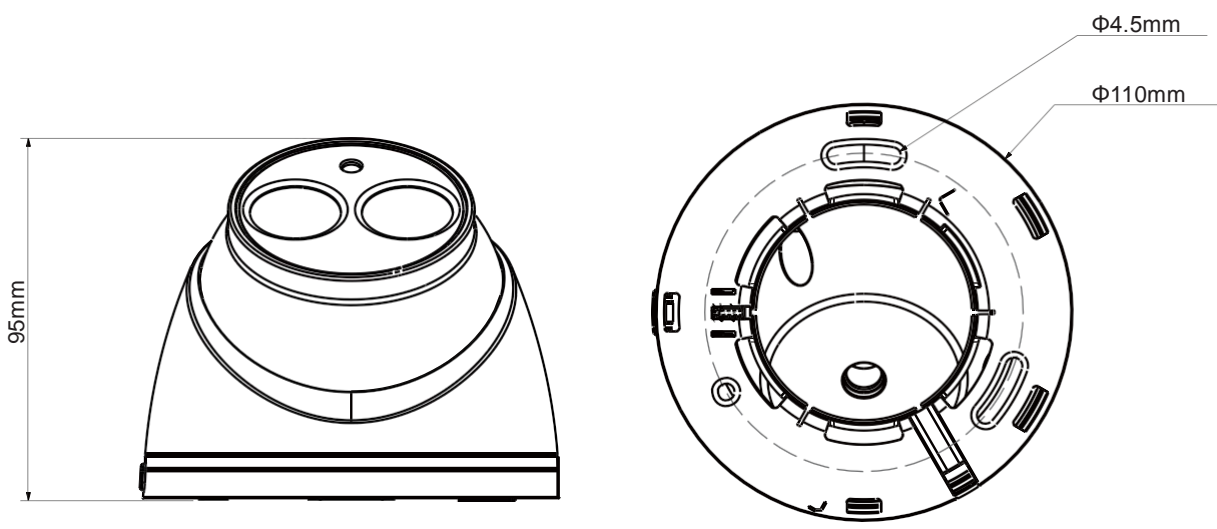
Technical Specifications

Model	HAC-HDW1200EP	HAC-HDW1200EN
Camera		
Image Sensor	1/2.7" 2Megapixel CMOS	
Effective Pixels	1930(H)×1088(V)	
Electronic Shutter	1/50s~1/100,000s	1/60s~1/100,000s
Video Frame Rate	25fps@1080P	30fps@1080P
Synchronization	Internal	
Mini. Illumination	0.01Lux@F1.2(AGC ON), 0Lux IR on	
Video Output	1-channel BNC HDCVI high definition video output	
Camera Features		
Max. IR LEDs Length	50m, Smart IR	
Day/Night	Auto(ICR) / Color / B/W	
Noise Reduction	2D	
Lens		
Focal Length	3.6mm (6mm optional)	
Angle of View	H: 89.9° (59.4°)	
Mount Type	M12	
General		
Power Supply	DC12V±20%	
Power Consumption	Max 3.6W	
Working Environment	-30°C~+60°C / Less than 95%RH (no condensation)	
Transmission Distance	Over 500m via 75-3 coaxial cable	
Ingress Protection	IP67	
Dimensions(W×D×H)	Φ110mm×95.0mm	
Weight	0.3kg	
Material	Metal (inner core) + Plastic (outside)	




Product Specifications

HAC-HDW1200E

Dimensions (mm)



Accessories (optional)

		
PFB200W	PFA136	PFA152