

HAC-HDW1200MM

2Megapixel 1080P Water-proof IR HDCVI Mini Dome Camera



Features

- 1/2.7" 2Megapixel CMOS
- 25/30fps@1080P
- High speed, long distance real-time transmission
- Day/Night(ICR), AWB, AGC, BLC, 2D-DNR
- 3.6mm fixed lens (6mm optional)
- Max. IR LEDs length 30m, Smart IR
- IP67, DC12V

Product Specifications

HAC-HDW1200MM

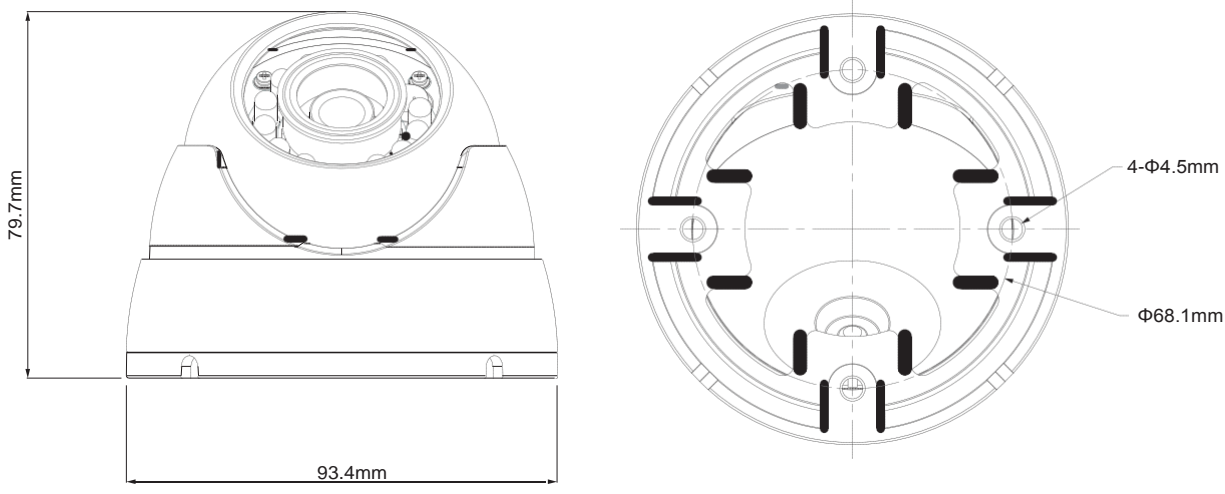
Technical Specifications

| Model | HAC-HDW1200MP | HAC-HDW1200MN |
|------------------------|--|------------------|
| Camera | | |
| Image Sensor | 1/2.7" 2Megapixel CMOS | |
| Effective Pixels | 1930(H)×1088(V) | |
| Electronic Shutter | 1/50s~1/100,000s | 1/60s~1/100,000s |
| Video Frame Rate | 25fps@1080P | 30fps@1080P |
| Synchronization | Internal | |
| Min. Illumination | 0.01Lux@F1.2(AGC ON), 0Lux IR on | |
| Video Output | 1-channel BNC HDCVI high definition video output | |
| Camera Features | | |
| Max. IR LEDs Length | 30m, Smart IR | |
| Day/Night | Auto(ICR) / Color / B/W | |
| Noise Reduction | 2D | |
| Lens | | |
| Focal Length | 3.6mm (6mm optional) | |
| Angle of View | H: 89.9° (59.4°) | |
| Mount Type | M12 | |
| General | | |
| Power Supply | DC12V±20% | |
| Power Consumption | Max 2.5W | |
| Working Environment | -30°C~+60°C / Less than 95%RH (no condensation) | |
| Transmission Distance | Over 500m via 75-3 coaxial cable | |
| Ingress Protection | IP67 | |
| Dimensions | Φ93.4mm×79.7mm | |
| Weight | 0.35kg | |
| Material | Metal | |




Product Specifications

HAC-HDW1200MM

Dimensions (mm)



Accessories (optional)

| | | |
|---|---|--|
|  |  |  |
| PFB204W | PFA121 | PFA152 |