

Product Specifications

IPC-HDBW4800E

4K Ultra HD Network IR Mini Dome Camera



Features

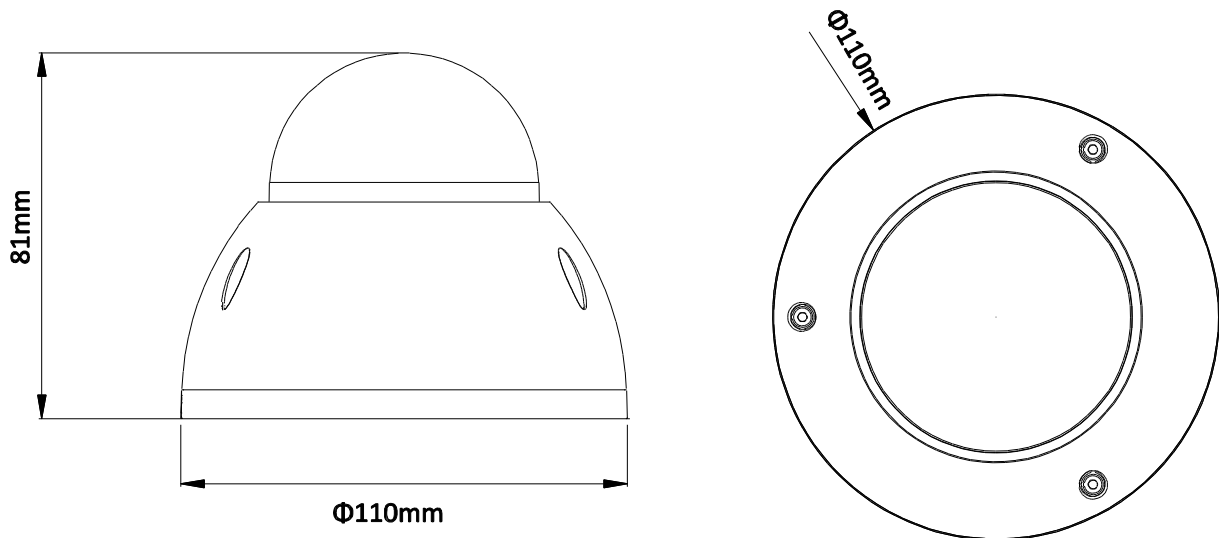
- 1/2.3" 4K progressive scan CMOS
- H.264&MJPEG dual-stream encoding
- 7fps@4K(3840×2160)
- DWDR, Day/Night(ICR), 3DNR,AWB,AGC,BLC
- Multiple network monitoring: Web viewer, CMS(DSS/PSS) & DMSS
- 4mm fixed lens
- Max. IR LEDs Length 20m
- IP66, IK10, PoE

Technical Specifications


| | | |
|--------------------------|--|-------------------------------------|
| Model | IPC-HDBW4800E | |
| Camera | | |
| Image Sensor | 1/2.3" 4K progressive scan CMOS | |
| Effective Pixels | 3840(H)x2160(V) | |
| Scanning System | Progressive | |
| Electronic Shutter Speed | Auto/Manual, 1/3(4)~1/10000s | |
| Min. Illumination | 0. 1Lux/F1.6 (Color), 0Lux/F1.8(IR on) | |
| S/N Ratio | More than 50dB | |
| Video Output | N/A | |
| Camera Features | | |
| Max. IR LEDs Length | 20m | |
| Day/Night | Auto(ICR)/Color/B/W | |
| Backlight Compensation | BLC / HLC / DWDR | |
| White Balance | Auto/Manual | |
| Gain Control | Auto/Manual | |
| Noise Reduction | 3D | |
| Privacy Masking | Up to 4 areas | |
| Lens | | |
| Focal Length | 4mm | |
| Max Aperture | F1.6 | |
| Focus Control | Manual | |
| Angle of View | H: 80° | |
| Lens Type | Fixed lens | |
| Mount Type | Board-in Type | |
| Video | | |
| Compression | H.264/ MJPEG | |
| Resolution | 4K(3840×2160)/1080P(1920×1080)/720P(1280×720)/D1(704×576/ 704×480) /CIF(352×288/352×240) | |
| Frame Rate | Main Stream | 4K(1~7fps)/3M/1080P/ (1 ~ 25/30fps) |
| | Sub Stream | D1/CIF(1 ~ 25/30fps) |
| Bit Rate | H.264: 20K ~ 16Mbps | |
| Audio | | |
| Compression | N/A | |
| Interface | N/A | |
| Network | | |
| Ethernet | RJ-45 (10/100Base-T) | |
| Wi-Fi | N/A | |
| Protocol | IPv4/IPv6, HTTP, HTTPS, SSL, TCP/IP, UDP, UPnP, ICMP, IGMP, SNMP, RTSP, RTP, SMTP, NTP, DHCP, DNS, PPPoE, DDNS, FTP, IP Filter, QoS, Bonjour | |
| Compatibility | ONVIF, PSIA, CGI | |
| Max. User Access | 20 users | |

| | |
|----------------------------|--------------------------------------|
| Smart Phone | iPhone, iPad, Android, Windows Phone |
| Auxiliary Interface | |
| Memory Slot | N/A |
| RS485 | N/A |
| Alarm | N/A |
| PIR Sensor Range | N/A |
| General | |
| Power Supply | DC12V, PoE (802.3af) |
| Power Consumption | <7W |
| Working Environment | -30°C~+60°C, Less than 95% RH |
| Ingress Protection | IP66 |
| Vandal Resistance | IK10 |
| Dimensions | Φ110mm×81mm |
| Weight | 406g(531.8g with packaging) |

Dimensions (mm)



Accessory (optional)

| | | |
|---|---|---|
|  |  |  |
| PFB200W | PFA131 | PFA123 |