

### 5Megapixel Full HD Network Motorized IR-Bullet Camera



#### Features

- 1/2.5" 5Megapixel progressive scan CMOS
- H.264 & MJPEG dual-stream encoding
- Max 12fps@5M(2560×1920)&25/30fps@1080P(1920×1080)
- DWDR, Day/Night(ICR), 3DNR, Auto iris, AWB, AGC, BLC
- Multiple network monitoring: Web viewer, CMS(DSS/Smart PSS) & DMSS
- 4~9mm vari-focal motorized lens
- Built-in 2/1 alarm in/out
- Max. IR LEDs length 30m
- Micro SD memory, IP66, PoE

# Product Specifications

## IPC-HFW5502C

### Specifications

<b>Model</b>	<b>IPC-HFW5502C</b>	
<b>Camera</b>		
Image Sensor	1/2.5" 5Megapixel CMOS	
Effective Pixels	2560(H)x1920(V)	
Scanning System	Progressive	
Electronic Shutter Speed	Auto/Manual, 1/3(4)~1/10000s	
Min. Illumination	Color: 0. 01Lux/F1.6	
S/N Ratio	More than 50dB	
Video Output	1 channel, BNC(1.0Vp-p/75Ω)	
<b>Camera Features</b>		
Max. IR LEDs Length	30m	
Day/Night	Auto(ICR)/Color/B/W	
Backlight Compensation	BLC / HLC / DWDR	
White Balance	Auto	
Gain Control	Auto/Manual	
Noise Reduction	3D	
Privacy Masking	Up to 4 areas	
<b>Lens</b>		
Focal Length	4~9mm motorized	
Max Aperture	F1.6	
Focus Control	Auto	
Angle of View	H: 82.4°(Wide)~36.1°(Tele)	
Lens Type	Motorized /Auto Iris(DC)	
Mount Type	Board-in Type	
<b>Video</b>		
Compression	H.264H/H.264B/H.264 / MJPEG	
Resolution	5M(2560×1920)/3M(2048×1536)/1080P(1920×1080) / 720P(1280×720) / D1(704×576) / CIF(352×288) /	
Frame Rate	Main Stream	5M(1~12fps)/3M(1~20fps)/1080P/720P(1 ~ 25/30fps)
	Sub Stream	D1/CIF(1 ~ 25/30fps)
Bit Rate	H.264H: 32K ~ 8192Kbps	
<b>Audio</b>		
Compression	G.711a / G.711u/ PCM	
Interface	1/1 channel In/Out	
<b>Network</b>		
Ethernet	RJ-45 (10/100Base-T)	
Wi-Fi	N/A	
Protocol	IPv4/IPv6, HTTP, HTTPS, SSL, TCP/IP, UDP, UPnP, ICMP, IGMP, SNMP, RTSP, RTP, SMTP, NTP, DHCP, DNS, PPPOE, DDNS, FTP, IP Filter, QoS, Bonjour	
Compatibility	ONVIF PSIA CGI	

# Product Specifications

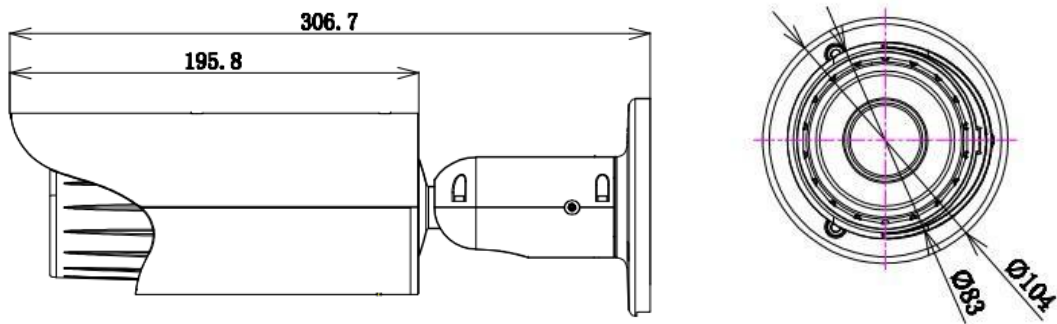
## IPC-HFW5502C

Max. User Access	20 users
Smart Phone	iPhone, iPad, Android, Windows Phone
<b>Auxiliary Interface</b>	
Memory Slot	Micro SD, Max 64GB
RS485	N/A
Alarm	2/1 channel In/Out
PIR Sensor Range	N/A
<b>General</b>	
Power Supply	DC12V(AC24V optional), PoE(802.3af)
Power Consumption	<8.5W
Working Environment	-30°C~+60°C(-H: -40°C~+60°C), Less than 90%RH
Ingress Protection	IP66
Vandal Resistance	N/A
Dimensions	φ104mm × 306.7mm
Weight	1.25Kg

# Product Specifications

## IPC-HFW5502C

### Dimensions (mm)



### Accessory (optional)

		
PFA130	PFA150	PFA151