

1.3Megapixel HD IR Mini Dome Camera



Features

- 1/3" 1.3Megapixel progressive scan Aptina CMOS
- H.264 & MJPEG dual-stream encoding
- 25/30fps@1.3M(1280×960)&720(1280×720)
- DWDR, Day/Night(ICR), 3DNR, AWB, AGC, BLC
- Multiple network monitoring: Web viewer, CMS(DSS/PSS) & DMSS
- 3.6mm fixed lens (2.8mm, 6mm optional)
- Max. IR LEDs length 30m
- IK10, IP66, PoE

Product Specifications

IPC-HDBW4100E/0610

Specifications

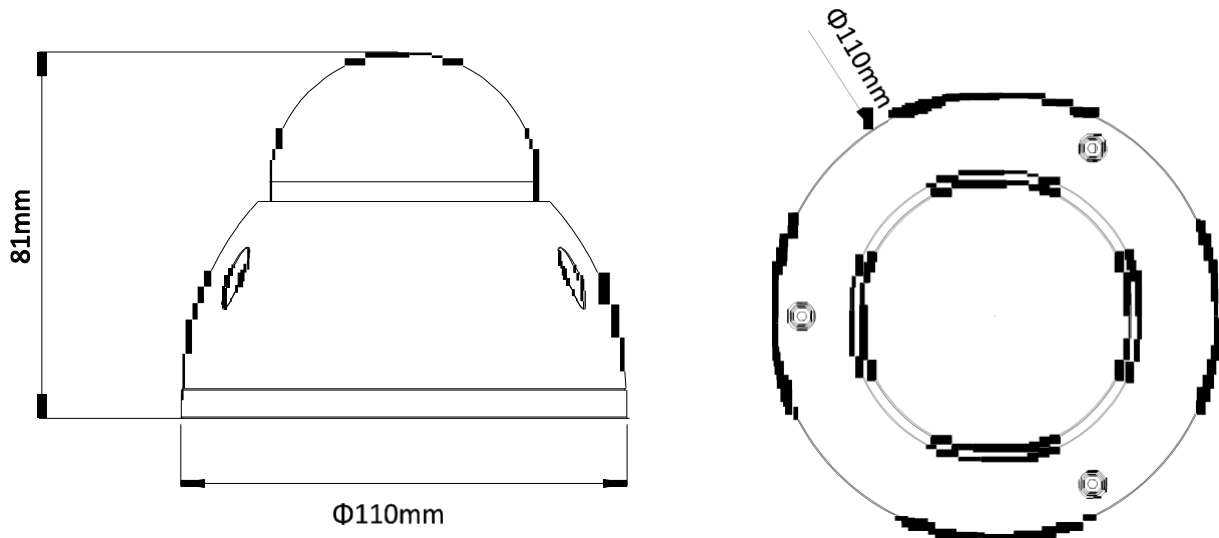
Model	IPC-HDBW4100E-(A)(S)	
Camera		
Image Sensor	1/3" 1.3Megapixel Aptina CMOS	
Effective Pixels	1280(H)x960(V)	
Scanning System	Progressive	
Electronic Shutter Speed	Auto/Manual, 1/3(4)~1/10000s	
Min. Illumination	Color: 0.01Lux/F1.2, 0Lux/F1.2(IR on)	
S/N Ratio	More than 50dB	
Video Output	N/A	
Camera Features		
Max. IR LEDs Length	30m	
Day/Night	Auto(ICR)/Color/B/W	
Backlight Compensation	BLC / HLC / DWDR	
White Balance	Auto/Manual	
Gain Control	Auto/Manual	
Noise Reduction	3D	
Privacy Masking	Up to 4 areas	
Lens		
Focal Length	3.6mm (2.8mm, 6mm optional)	
Max Aperture	F1.8(F2.0/F1.6)	
Angle of View	H: 72.5°/90°/44°	
Lens Type	Fixed lens	
Mount Type	Board-in Type	
Video		
Compression	H.264 / MJPEG	
Resolution	1.3M(1280×960) / 720P(1280×720) / D1(704×576/704×480) / CIF(352×288/352×240)	
Frame Rate	Main Stream	1.3M/720P(1 ~ 25/30fps)
	Sub Stream	D1/CIF(1 ~ 25/30fps)
Bit Rate	H.264: 32K ~ 8192Kbps	
Audio		
Compression	G.711a/G.711u/PCM(-AS)	
Interface	1/1 channel In/Out(-AS)	
Network		
Ethernet	RJ-45 (10/100Base-T)	
Protocol	IPv4/IPv6, HTTP, HTTPS, SSL, TCP/IP, UDP, UPnP, ICMP, IGMP, SNMP, RTSP, RTP, SMTP, NTP, DHCP, DNS, PPPOE, DDNS, FTP, IP Filter, QoS, Bonjour	
ONVIF	ONVIF Profile S	
Max. User Access	20 users	
Smart Phone	iPhone, iPad, Android, Windows Phone	

Product Specifications

IPC-HDBW4100E/0610

Auxiliary Interface	
Memory Slot	Micro SD Max 64GB(-AS/-S)
RS485	N/A
Alarm	1/1 channel In/Out(-AS)
PIR Sensor Range	N/A
General	
Power Supply	DC12V, PoE(802.3af)
Power Consumption	Max W
Working Environment	-20°C~+60°C, Less than 95% RH
Ingress Protection	IP66
Vandal proof	IK10
Dimensions	Φ110mm x 81mm
Weight	0.29Kg


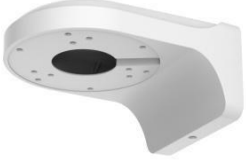
Dimensions (mm)



Product Specifications

IPC-HDBW4100E/0610

Accessory (optional)

	
PFA131	PFB200W