

# Product Specifications

## IPC-HDB(W)5502-(DI)

### 5Megapixel Full HD Network Motorized IR Dome Camera



#### Features

- 1/2.5" 5Megapixel progressive scan CMOS
- H.264 & MJPEG dual-stream encoding
- Max 12fps@5M(2560×1920)&25/30fps@1080P(1920×1080)
- DWDR, Day/Night(ICR), 3DNR, Auto iris, AWB, AGC, BLC
- Multiple network monitoring: Web viewer, CMS(DSS/PSS) & DMSS
- 4~9mm varifocal motorized lens
- Built-in 1/1 alarm in/out
- Max. IR LEDs length 20m
- Micro SD memory, IP66,IK10, PoE,

# Product Specifications

## IPC-HDB(W)5502-(DI)

### Technical Specifications

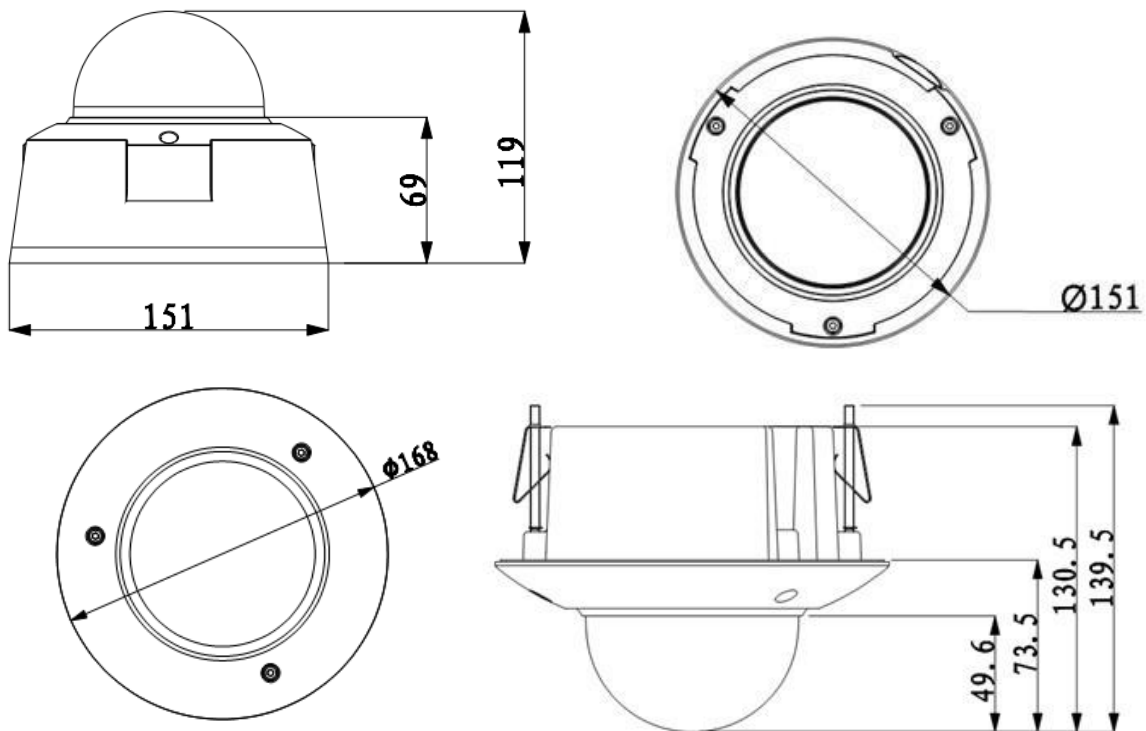
Model	IPC-HDBW5502	IPC-HDB5502	IPC-HDBW5502-DI	IPC-HDB5502-DI
<b>Camera</b>				
Image Sensor	1/2.5" 5Megapixel CMOS			
Effective Pixels	2560(H)x1920(V)			
Scanning System	Progressive			
Electronic Shutter Speed	Auto/Manual 1/3~1/10000			
Min. Illumination	Color: 0.01Lux/F1.6			
S/N Ratio	More than 50dB			
Video Output	1 channel, BNC(1.0Vp-p/75Ω)			
<b>Camera Features</b>				
Max. IR LEDs Length	20m	N/A	20m	N/A
Day/Night	Auto(ICR)/Color/B/W			
Backlight Compensation	BLC / HLC / DWDR			
White Balance	Auto			
Gain Control	Auto/Manual			
Noise Reduction	3D			
Privacy Masking	Up to 4 areas			
<b>Lens</b>				
Focal Length	4~9mm motorized			
Max Aperture	F1.6			
Focus Control	Auto			
Angle of View	H: 86.5°(Wide)~28.6°(Tele)			
Lens Type	Motorized /Auto Iris(DC)			
Mount Type	Board-in Type			
<b>Video</b>				
Compression	H.264H/H.264B/H.264/MJPEG			
Resolution	5M(2536×1920)/3M(2048×1536)/1080P(1920×1080) / 720P(1280×720) / D1(704×576) / CIF(352×288)			
Frame Rate	Main Stream	1080P/720P(1~25/30fps)		
	Sub Stream	D1/CIF(1 ~ 25/30fps)		
Bit Rate	H.264H: 32K ~ 8192Kbps			
<b>Audio</b>				
Compression	G.711a / G.711u/ PCM			
Interface	1/1 channel In/Out			
<b>Network</b>				
Ethernet	RJ-45 (10/100Base-T)			
Wi-Fi	N/A			
Protocol	IPv4/IPv6, HTTP, HTTPS, SSL, TCP/IP, UDP, UPnP, ICMP, IGMP, SNMP, RTSP, RTP, SMTP, NTP, DHCP, DNS, PPPOE, DDNS, FTP, IP Filter, QoS, Bonjour			
Compatibility	ONVIF PSIA CGI			
Max. User Access	20 users			

# Product Specifications

## IPC-HDB(W)5502-(DI)

Smart Phone	iPhone, iPad, Android, Windows Phone	
<b>Auxiliary Interface</b>		
Memory Slot	Micro SD, Max 64GB	
RS485	N/A	
Alarm	1/1 channel In/Out	
PIR Sensor Range	N/A	
<b>General</b>		
Power Supply	DC12V/AC24V, PoE(802.3af)	
Power Consumption	Max 5W(IR on:+2W)	
Working Environment	-30°C~+60°C , Less than 90%RH	
Ingress Protection	IP66	
Vandal Resistance	IK10	
Dimensions	Φ151mm×119mm	Φ168mm×139.5mm
Weight	1.25kg	





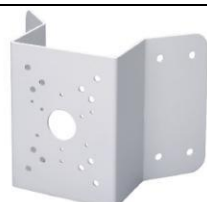
### Dimensions (mm)



# Product Specifications

## IPC-HDB(W)5502-(DI)

### Accessories (optional)

				
PFA100	PFB300S	PFA120	PFA150	PFA151