

1.3Megapixel WDR HD Vandal-proof IR Network Dome Camera



Features

- 1/3" 1.3Megapixel progressive scan Aptina CMOS
- H.264 & MJPEG dual-stream encoding
- Max 25/30fps@1.3M(1280×960)&25/30fps@720P(1280×720)
- WDR, Day/Night(ICR), 3DNR, Auto iris, AWB, AGC, BLC
- Multiple network monitoring: Web viewer, CMS(DSS/PSS) & DMSS
- 2.8~12mm varifocal lens
- Built-in 1/1 alarm in/out
- Max IR LEDs length 20m
- Micro SD memory, IP66, IK10, PoE

Specifications

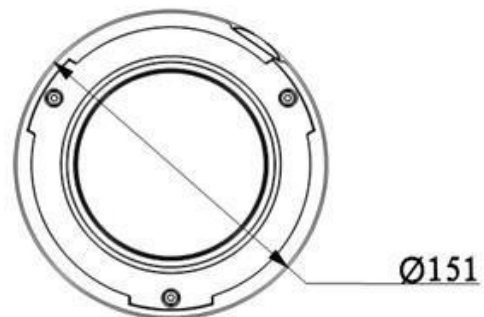
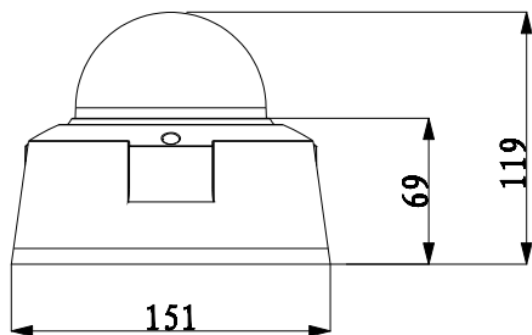
Model	IPC-HDBW3101P		IPC-HDBW3101N	
Camera				
Image Sensor	1/3" 1.3Megapixel progressive CMOS			
Effective Pixels	1280(H)x960(V)			
Scanning System	Progressive			
Electronic Shutter Speed	Auto/Manual 1/3~1/10000	Auto/Manual 1/4~1/10000		
Min. Illumination	0.01lux/F1.4(color),0.005Lux/F1.4(B/W),0Lux(IR on)			
S/N Ratio	More than 50dB			
Video Output	1 port			
Camera Features				
Max. IR LEDs Length	20m			
Day/Night	Auto(ICR)/Color/B/W			
Backlight Compensation	Off/BLC/HLC/WDR(128dB)			
White Balance	AUTO			
Gain Control	Auto/Manual			
Noise Reduction	3D			
Privacy Masking	Up to 4 areas			
Lens				
Focal Length	2.8~12mm			
Max Aperture	F1.4			
Focus Control	Manual			
Angle of View	H: 92°(Wide)~27.2°(Tele)			
Lens Type	Manual/Auto Iris (DC)			
Mount Type	Board-in Type			
Video				
Compression	H.264 / MJPEG			
Resolution	1.3M(1280×960) / 720P(1280×720) / D1(704×576) / CIF(352×288) /	/	1.3M(1280×960) / 720P(1280×720) / D1(704×480) / CIF(352×240) /	/
Frame Rate	Main Stream	1.3M/720P(1 ~ 25/30fps)		
	Sub Stream	D1/CIF(1 ~ 25/30fps)		
Bit Rate	H.264: 32K ~ 8192Kbps			
Audio				
Compression	G.711a / G.711u/ PCM			
Interface	1/1 channel In/Out			
Network				
Ethernet	RJ-45 (10/100Base-T)			
Wi-Fi	N/A			
Protocol	IPv4/IPv6, HTTP, HTTPS, SSL, TCP/IP, UDP, UPnP, ICMP, IGMP, SNMP, RTSP, RTP, SMTP, NTP, DHCP, DNS, PPPOE, DDNS, FTP, IP Filter, QoS, Bonjour			

Product Specifications

IPC-HDBW3101

ONVIF	ONVIF Profile S
Max. User Access	10 users
Smart Phone	iPhone, iPad, Android, Windows Phone
Auxiliary Interface	
Memory Slot	Micro SD, Max 64GB
RS485	N/A
Alarm	1/1 channel In/Out
PIR Sensor Range	N/A
General	
Power Supply	DC12V/AC24V, PoE(802.3af)
Power Consumption	<6W
Working Environment	-10°C~+60°C, 10%~90%
Ingress Protection	IP66
Vandal Resistance	IK10
Dimensions	Φ151x119mm
Weight	1.25kg






Dimensions (mm)



Product Specifications

IPC-HDBW3101

Accessories (optional)

				
PFA100	PFB300S	PFA120	PFA150	PFA151