

IPC-HDW4300C

3Megapixel Full HD Network IR Mini Dome Camera



Features

- 1/3" 3Megapixel progressive scan Aptina CMOS
- H.264 & MJPEG dual-stream encoding
- Max 20fps@3M(2048×1536), 25/30fps@1080P(1920×1080)
- DWDR, Day/Night(ICR), 3DNR, AWB, AGC, BLC
- Multiple network monitoring: Web viewer, CMS(DSS/PSS) & DMSS
- 3.6mm fixed lens (2.8mm,6mm, 8mm optional)
- Max. IR LEDs Length 30m
- IP66, IK10, PoE

Technical Specifications

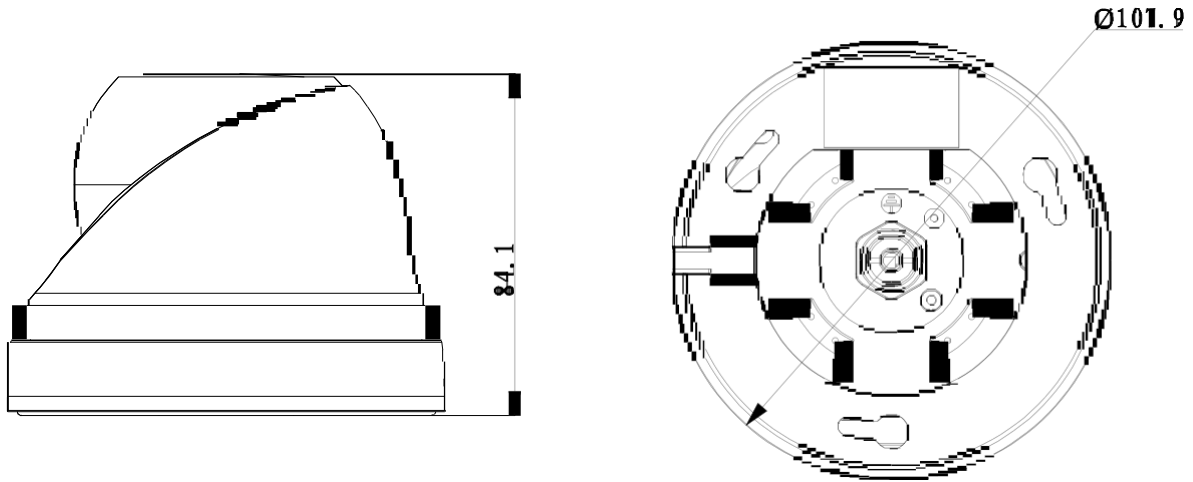
Model	IPC-HDW4300C	
Camera		
Image Sensor	1/3" 3Megapixel progressive scan CMOS	
Effective Pixels	2052(H)x1536(V)	
Scanning System	Progressive	
Electronic Shutter Speed	Auto/Manual, 1/3(4)~1/10000s	
Min. Illumination	0.01Lux/F1.2 (Color), 0.005Lux/F1.2(B/W);0Lux/F1.2(IR on)	
S/N Ratio	More than 50dB	
Video Output	N/A	
Camera Features		
Max. IR LEDs Length	30m	
Day/Night	Auto(ICR)/Color/B/W	
Backlight Compensation	BLC / HLC / DWDR	
White Balance	Auto	
Gain Control	Auto/Manual	
Noise Reduction	3D	
Privacy Masking	Up to 4 areas	
Lens		
Focal Length	3.6mm (2.8mm,6mm, 8mm optional)	
Max Aperture	F1.8(F2.0,F1.6,F1.6)	
Focus Control	Manual	
Angle of View	H:°72.5°(90°/44°/33.2°)	
Lens Type	Fixed lens	
Mount Type	Board-in Type	
Video		
Compression	H.264 / MJPEG	
Resolution	3M(2048x1536)/ 1080P(1920x1080)/ 720P(1280x720)/ D1(704x576/704x480)/ CIF(352x288/352x240)	
Frame Rate	Main Stream	3M(1~20fps)/1080P/720P(1 ~ 25/30fps)
	Sub Stream	D1(1~20fps)/CIF(1 ~ 25/30fps)
Bit Rate	H.264: 56K ~ 8192Kbps	
Audio		
Compression	G.711a/G.711u/PCM	
Interface	Built-in MIC	
Network		
Ethernet	RJ-45 (10/100Base-T)	
Wi-Fi	N/A	
Protocol	IPv4/IPv6, HTTP, HTTPS, SSL, TCP/IP, UDP, UPnP, ICMP, IGMP, SNMP, RTSP, RTP, SMTP, NTP, DHCP, DNS, PPPOE, DDNS, FTP, IP Filter, QoS, Bonjour	
ONVIF	ONVIF Profile S	

Product Specifications

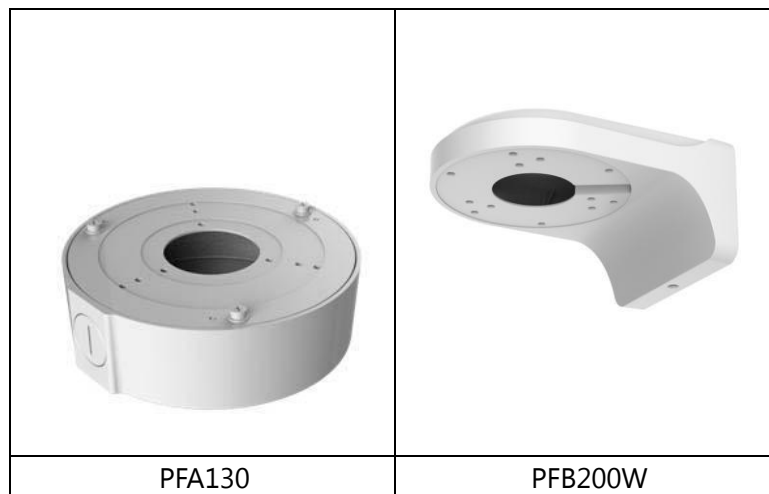
IPC-HDW4300C

Max. User Access	20 users
Smart Phone	iPhone, iPad, Android, Windows Phone
Auxiliary Interface	
Memory Slot	N/A
RS485	N/A
Alarm	N/A
PIR Sensor Range	N/A
General	
Power Supply	DC12V, PoE (802.3af)
Power Consumption	Max 4.5W
Working Environment	-20°C~ +60°C, Less than 95%RH
Ingress Protection	IP66
Vandal Resistance	IK10
Dimensions	Φ107.9mm×84.1mm
Weight	0.4kg

Dimensions (mm)



Accessory (optional)



PFA130

PFB200W