

## IPC-HDB4100C

### 1.3Megapixel Water-Proof & Vandal-Proof Network Dome Camera



#### Features

- 1/3" 1.3Megapixel progressive scan Aptina CMOS
- H.264 & MJPEG dual-stream encoding
- Max 25/30fps@1.3M(1280×960)
- Day/Night(ICR), 3DNR, Auto iris, AWB, AGC, BLC
- Multiple network monitoring: Web viewer, CMS(DSS/PSS) & DMSS
- 3.6mm fixed lens (2.8mm,6mm optional)
- Micro SD memory, IP66, IK10, PoE

### Technical Specifications

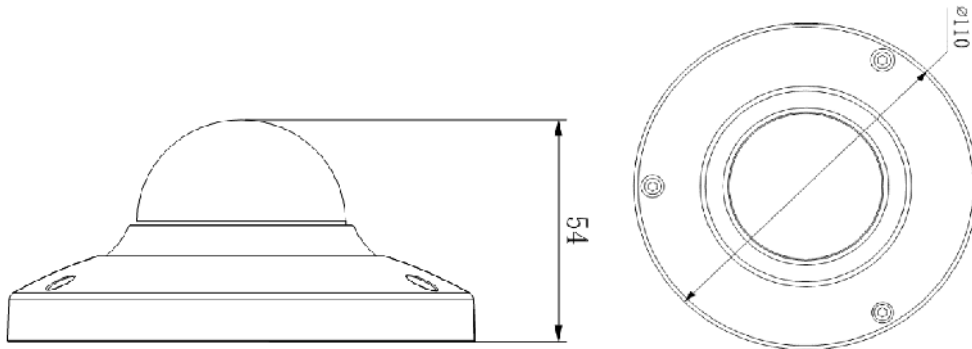
<b>Model</b>	<b>IPC-HDB4100C-(A)</b>	
<b>Camera</b>		
Image Sensor	1/3" 1.3Megapixel progressive scan CMOS	
Effective Pixels	1280(H)x960(V)	
Scanning System	Progressive	
Electronic Shutter Speed	Auto/Manual 1/3(4)~1/10000	
Min. Illumination	0.05lux/F1.2(color)	
S/N Ratio	More than 50db	
Video Output	N/A	
<b>Camera Features</b>		
Max. IR LEDs Length	N/A	
Day/Night	Auto(Electronic)/Color/B/W	
Backlight Compensation	Off/BLC/HLC/DWDR	
White Balance	Auto/Manual	
Gain Control	Auto/Manual	
Noise Reduction	3D	
Privacy Masking	Up to 4 areas	
<b>Lens</b>		
Focal Length	3.6mm (2.8mm,6mm optional)	
Max Aperture	F1.9(F2.0, F1.9)	
Focus Control	Manual	
Angle of View	H: 70°(89.6°/46°)	
Lens Type	Fixed Lens	
Mount Type	Board-in Type	
<b>Video</b>		
Compression	H.264/ MJPEG	
Resolution	1.3M(1280×960)/720P(1280×720)/D1(704×576/704×480)/ CIF(352×288/352×240)	
Frame Rate	Main Stream	1.3M/720P(1 ~ 25/30fps)
	Sub Stream	D1/CIF(1 ~ 25/30fps)
Bit Rate	H.264: 32K ~ 8192Kbps	
<b>Audio</b>		
Compression	G.711a/G.711u/PCM(-A)	
Interface	Built-in Mic(-A)	
<b>Network</b>		
Ethernet	RJ-45 (10/100Base-T)	
Wi-Fi	N/A	
Protocol	IPv4/IPv6, HTTP, HTTPS, SSL, TCP/IP, UDP, UPnP, ICMP, IGMP, SNMP, RTSP, RTP, SMTP, NTP, DHCP, DNS, PPPOE, DDNS, FTP, IP Filter, QoS, Bonjour,	
ONVIF	ONVIF Profile S	

# Product Specifications

## IPC-HDB4100C

Max. User Access	20 users
Smart Phone	iPhone, iPad, Android, Windows Phone
<b>Auxiliary Interface</b>	
Memory Slot	Micro SD, Max 64GB
RS485	N/A
Alarm	1/1 channel In/Out(-A)
PIR Sensor Range	N/A
<b>General</b>	
Power Supply	DC12V, PoE(802.3af)
Power Consumption	<2W
Working Environment	-20°C~+60°C, Less than 95% RH
Ingress Protection	IK10
Vandal Resistance	IP66
Dimensions	Φ110mm×54mm
Weight	0.25kg

### Dimensions (mm)



### Accessories (optional)

	
PFA131	PFB200W