

IPC-HD1100C/1105C

1Megapixel HD Network Mini Dome Camera



Features

- y 1/4" 1Megapixel progressive scan CMOS
- y H.264 & MJPEG dual-stream encoding
- y Max 25/30fps@720P(1280×720)
- y DWDR, Day/Night, 3DNR, AWB, AGC, BLC
- y Multiple network monitoring: Web viewer, CMS(DSS/PSS) & DMSS
- y 3.6mm fixed lens (2.8mm,6mm optional)
- y DC12V, PoE (HD1100C)

Product Specifications

IPC-HD1100C/1105C

Technical Specifications

Model	IPC-HD1100C	IPC-HD1105C
Camera		
Image Sensor	1/4" 1Megapixel progressive scan CMOS	
Effective Pixels	1280(H)x720(V)	
Scanning System	Progressive	
Electronic Shutter Speed	Auto/Manual 1/3 (4) ~1/10000	
Min. Illumination	0.1Lux/F1.2(color)	
S/N Ratio	More than 50dB	
Video Output	N/A	
Camera Features		
Max. IR LEDs Length	N/A	
Day/Night	Auto(Electronic) / Color / B/W	
Backlight Compensation	BLC/ HLC/ DWDR	
White Balance	Auto/Manual	
Gain Control	Auto/Manual	
Noise Reduction	3D	
Privacy Masking	Up to 4 areas	
Lens		
Focal Length	3.6mm (2.8mm,6mm optional)	
Max Aperture	F1.8(F2.0/F1.8)	
Focus Control	Manual	
Angle of View	H: 70°(114°/46°)	
Lens Type	N/A	
Mount Type	Board-in Type	
Video		
Compression	H.264 / MJPEG	
Resolution	720P(1280×720)/ D1(704×576/704×480)/ CIF(352×288/352×240)/	
Frame Rate	Main Stream	720P(1 ~ 25/30fps)
	Sub Stream	D1/CIF(1 ~ 25/30fps)
Bit Rate	H.264: 16K ~ 8192Kbps	
Audio		
Compression	N/A	
Interface	N/A	
Network		
Ethernet	RJ-45 (10/100Base-T)	
Wi-Fi	N/A	
Protocol	IPv4/IPv6, HTTP, HTTPS, SSL, TCP/IP, UDP, UPnP, ICMP, IGMP, SNMP, RTSP, RTP, SMTP, NTP, DHCP, DNS, PPPOE, DDNS, FTP, IP Filter, QoS, Bonjour	
ONVIF	ONVIF Profile S	
Max. User Access	10 users	

Product Specifications

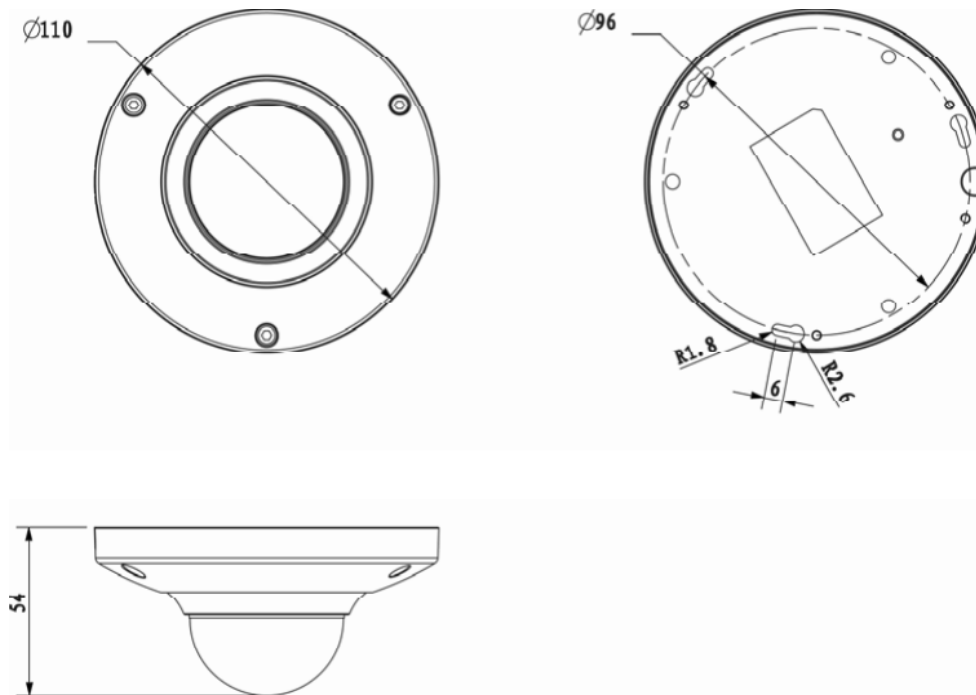
IPC-HD1100C/1105C

Smart Phone	iPhone, iPad, Android, Windows Phone	
Auxiliary Interface		
Memory Slot	N/A	
RS485	N/A	
Alarm	N/A	
PIR Sensor Range	N/A	
General		
Power Supply	DC12V, PoE(802.3af)	DC12V
Power Consumption	<1.5W	
Working Environment	-30°C~ +60°C, Less than 95%RH	
Ingress Protection	N/A	
Vandal Resistance	N/A	
Dimensions	Φ110×54mm	
Weight	0.2kg	


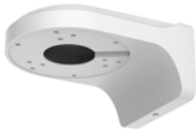
Product Specifications

IPC-HD1100C/1105C

Dimensions (mm)



Accessories (optional)

	
PFA131	PFB200W