

3Megapixel Full HD Network IR-Bullet Camera



Features

- 1/3" 3Megapixel progressive scan Aptina CMOS
- H.264 & MJPEG dual-stream encoding
- Max 20fps@3M(2048×1536)&25/30fps@1080P(1920×1080)
- DWDR, Day/Night(ICR), 3DNR, Auto iris, AWB, AGC, BLC
- Multiple network monitoring: Web viewer, CMS(DSS/PSS) & DMSS
- 2.7 ~12mm varifocal lens (HFW5300C)
3 ~9mm varifocal motorized lens (HFW5302C)
- Built-in 2/1 alarm in/out
- Max. IR LEDs length 30m
- Micro SD memory, IP66, PoE

Product Specifications

IPC-HFW5300C/5302C

Specifications

Model	IPC-HFW5300C	IPC-HFW5302C
Camera		
Image Sensor	1/3" 3Megapixel Aptina CMOS	
Effective Pixels	2048(H)x1536(V)	
Scanning System	Progressive	
Electronic Shutter Speed	Auto/Manual, 1/3~1/10000s	
Min. Illumination	Color: 0.01Lux/F1.2, 0Lux/F1.2(IR on)	
S/N Ratio	More than 50dB	
Video Output	1 channel, BNC(1.0Vp-p/75Ω)	
Camera Features		
Max. IR LEDs Length	30m	
Day/Night	Auto(ICR)/Color/B/W	
Backlight Compensation	BLC / HLC / DWDR	
White Balance	Auto/Manual	
Gain Control	Auto/Manual	
Noise Reduction	3D	
Privacy Masking	Up to 4 areas	
Lens		
Focal Length	2.7~12mm	3~9mm motorized
Max Aperture	F1.4	
Focus Control	Manual	Auto
Angle of View	H:91.2°(Wide)~25.5°(Tele)	H: 105°(Wide)~36°(Tele)
Lens Type	Manual/Auto Iris(DC)	Motorized /Auto Iris(DC)
Mount Type	Board-in Type	
Video		
Compression	H.264 / MJPEG	
Resolution	3M(2048×1536)/1080P(1920×1080) / 720P(1280×720) / D1(704×576) / CIF(352×288) /	
Frame Rate	Main Stream	3M(1~20fps)/1080P/720P(1 ~ 25/30fps)
	Sub Stream	D1/CIF(1 ~ 25/30fps)
Bit Rate	H.264: 32K ~ 8192Kbps	
Audio		
Compression	G.711a / G.711u/ PCM	
Interface	1/1 channel In/Out	
Network		
Ethernet	RJ-45 (10/100Base-T)	
Wi-Fi	N/A	
Protocol	IPv4/IPv6, HTTP, HTTPS, SSL, TCP/IP, UDP, UPnP, ICMP, IGMP, SNMP, RTSP, RTP, SMTP, NTP, DHCP, DNS, PPPOE, DDNS, FTP, IP Filter, QoS, Bonjour	
ONVIF	ONVIF Profile S	

Product Specifications

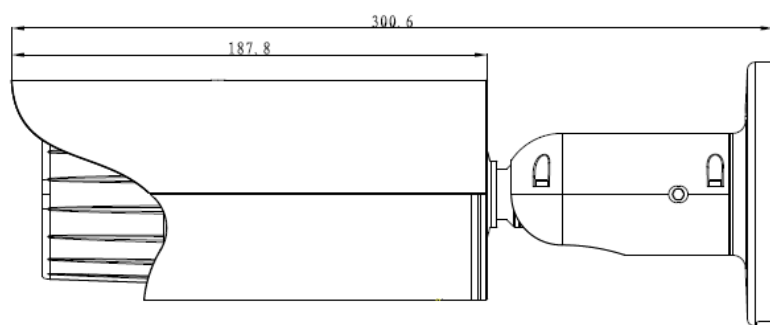
IPC-HFW5300C/5302C

Max. User Access	20 users
Smart Phone	iPhone, iPad, Android, Windows Phone
Auxiliary Interface	
Memory Slot	Micro SD, Max 64GB
RS485	N/A
Alarm	2/1 channel In/Out
PIR Sensor Range	N/A
General	
Power Supply	DC12V(AC 24V optional), PoE(802.3af)
Power Consumption	Max 7.5W (-H: +2W, Motorized lens: +2W)
Working Environment	-20°C~+60°C(-H : -40°C~+60°C), Less than 90%RH
Ingress Protection	IP66
Vandal Resistance	N/A
Dimensions	φ104mm × 306.7mm
Weight	1.25Kg

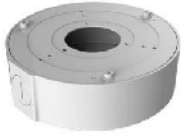


Product Specifications

IPC-HFW5300C/5302C

Dimensions (mm)



Accessory (optional)

		
PFA130	PFA150	PFA151