

Product Specifications

IPC-HFW5200D

2Megapixel Full HD Network IR-Bullet Camera



Features

- 1/3" 2Megapixel progressive scan Exmor CMOS
- H.264&MJPEG dual-stream encoding
- 25/30fps@1080P(1920×1080)
- DWDR, Day/Night(ICR), 3DNR,AWB,AGC,BLC
- Multiple network monitoring: Web viewer, CMS(DSS/PSS) & DMSS
- 3.6mm fixed lens (6mm,8mm optional)
- Max. IR LEDs Length 50m
- IP66, PoE

Product Specifications

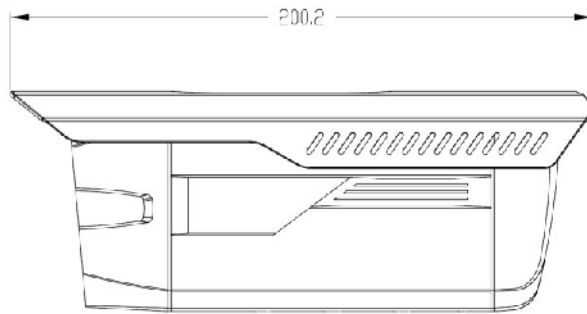
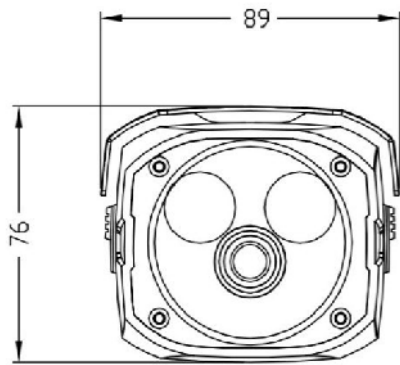
IPC-HFW5200D

Technical Specifications

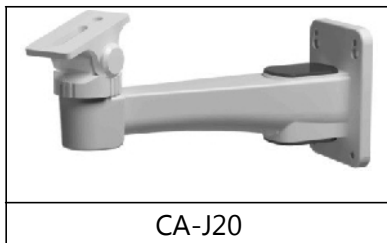
Model	IPC-HFW5200DP	IPC-HFW5200DN
Camera		
Image Sensor	1/3" 2Megapixel progressive scan Exmor CMOS	
Effective Pixels	1920(H)x1080(V)	
Scanning System	Progressive	
Electronic Shutter Speed	Auto/Manual, 1/3~1/10000s	Auto/Manual, 1/4~1/10000s
Min. Illumination	0. 1Lux/F1.2 (Color), 0.01Lux/F1.2(B/W);0Lux/F1.2(IR on)	
S/N Ratio	More than 50dB	
Video	1 channel BNC (1.0Vp-	
Camera Features		
Max. IR LEDs Length	50m	
Day/Night	Auto(ICR)/Color/B/W	
Backlight Compensation	BLC / HLC / DWDR	
White Balance	Auto/Manual	
Gain Control	Auto/Manual	
Noise Reduction	3D	
Privacy Masking	Up to 4 areas	
Lens		
Focal Length	3.6mm (6mm,8mm optional)	
Max	F1.6	
Focus	Manual	
Angle of	H:70°(48.8°/37°)	
Lens Type	Fixed lens	
Mount Type	Board-in Type	
Video		
Compression	H.264/ MJPEG	
Resolution	1080P(1920×1080)/720P(1280×720)/D1(704×576)/CIF(352×	1080P(1920×1080)/720P(1280×720)/D1(704×480)/CIF(352×
Frame Rate	Main Stream	1080P/720P(1 ~ 25/30fps)
	Sub Stream	D1/CIF(1 ~ 25/30fps)
Bit Rate	H.264: 32K ~ 8192Kbps	
Audio		
Compression	G.711a/ G.711u/ PCM	
Interface	1/1 channel In/Out	
Network		
Ethernet	RJ-45 (10/100Base-T)	
Wi-Fi	N/A	
Protocol	IPv4/IPv6, HTTP, HTTPS, SSL, TCP/IP, UDP, UPnP, ICMP, IGMP, SNMP, RTSP, RTP, SMTP, NTP, DHCP, DNS, PPPOE, DDNS, FTP, IP Filter, QoS, Bonjour	
ONVIF	ONVIF Profile S	

Max. User Access	20 users
Smart Phone	iPhone, iPad, Android, Windows Phone
Auxiliary Interface	
Memory Slot	Micro SD, Max 64GB
RS485	N/A
Alarm	2/1 channel In/Out
PIR Sensor Range	N/A
General	
Power Supply	DC12V, PoE (802.3af)
Power Consumption	<7.6W
Working Environment	-20°C~+60°C, Less than 90% RH
Ingress Protection	IP66
Vandal Resistance	N/A
Dimensions	88mm×76mm×200.2mm
Weight	0.92kg

Dimensions (mm)



Accessory (optional)



CA-J20