

DH-SD6580 80C 81 81B 81C-HN **1.3Mp HD Network PTZ Dome Camera**



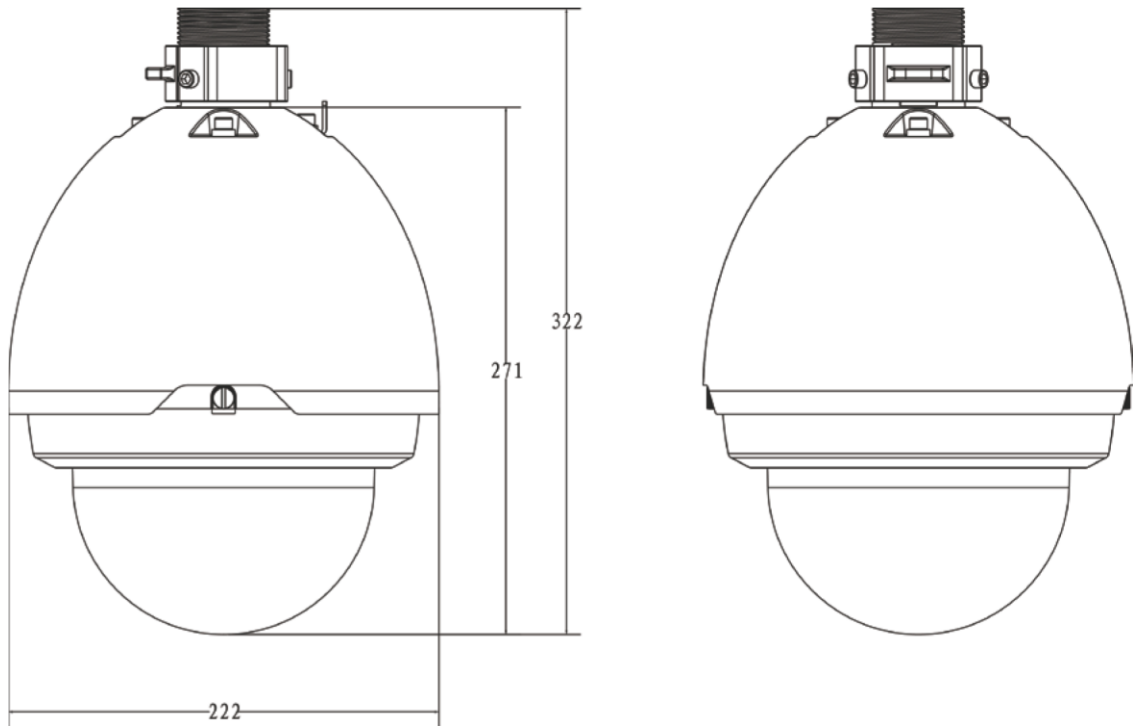
Features

- 18x / 28x / 30x optical zoom
- H.264 & MJPEG dual-stream encoding
- Max. 25/30fps @1.3M(1280×960) & 720P resolution
- WDR, Day/Night(ICR), DNR (2D&3D),Auto iris, Auto focus, AWB, AGC,BLC
- Multiple network monitoring: Web viewer, CMS(DSS/PSS) & DMSS
- Max 400°/s pan speed, 360° endless pan rotation
- Up to 255 presets, 5 auto scan, 8 tour, 5 pattern

PRODUCT SPECIFICATIONS

- Built-in 7/2 alarm in/out
- Support intelligent 3D positioning with DH-SD protocol
- Micro SD memory, IP67, easy installation

Dimensions (mm)



PRODUCT SPECIFICATIONS

Technical Specifications

Model	SD6580-HN	SD6580C-HN	SD6581-HN	SD6581B-HN	SD6581C-HN
Camera					
Image Sensor	1/3" CCD	1/3" CMOS	1/3" CCD	1/4" CMOS	1/3" CCD
Effective Pixels	1280(H) x 960(V)				
Scanning System	Progressive				
Electronic Shutter Speed	PAL:1/3~1/10000s NTSC:1/4~1/10000s	PAL/ NTSC: 1/1~1/10000s	PAL:1/3~1/10000s NTSC:1/4~1/10000s	PAL/ NTSC: 1/1~1/10000s	PAL:1/3~1/10000s NTSC:1/4~1/10000s
Min. Illumination	Color: 0.1Lux/F1.6 B/W: 0.01Lux/F1.6	Color: 0.05Lux/F1.6 B/W: 0.005Lux/F1.6	Color: 0.5Lux/F1.6 B/W: 0.02Lux/F1.6	Color: 0.25Lux/F1.35 B/W: 0.03Lux/F1.35	Color: 0.1Lux B/W: 0.005Lux
S/N Ratio	More than 50dB				
Video Output	BNC(1.0Vp-p/75Ω), PAL / NTSC				
Camera Features					
Day/Night	Auto(ICR) / Color / B/W				
Backlight Compensation	BLC / HLC	BLC / HLC / WDR			
White Balance	Auto, ATW, Indoor, Outdoor, Manual				
Gain Control	Auto / Manual				
Noise Reduction	2D / 3D				
Privacy Masking	Up to 24 areas				
Digital Zoom	16x		12x		2x
Lens					
Focal Length	4.7mm~84.6mm (18x Optical zoom)			3.5mm~98.0m m (28x Optical zoom)	4.4mm~132mm (30x Optical zoom)
Max Aperture	F1.6~F2.7		F1.6~F2.8	F1.35 ~ F3.7	F1.4~ F4.6
Focus Control	Auto / Manual				
Angle of View	H: 55.2°~3.2°			H: 55.9°~2.1°	H: 30.5°~ 1.82°
Close Focus Distance	100mm(wide) ~ 1500mm(Tele)			10mm(wide) ~ 1500mm(Tele)	-

PRODUCT SPECIFICATIONS

PTZ	
Pan/Tilt Range	Pan: 0° ~ 360° endless; Tilt: -2° ~ 90°, auto flip 180°
Manual Control Speed	Pan: 0.1° ~ 300°/s; Tilt: 0.1° ~ 250°/s
Preset Speed	Pan: 400°/s; Tilt: 300°/s
Preset	80(DH-SD), 255(Pelco-P/D)
PTZ Mode	5 Pattern, 8 Tour, Auto Pan, Auto Scan
Speed Setup	Human-oriented focal length/ speed adaptation
Power up Action	Auto restore to previous PTZ and lens status after power failure